

	Society for Applied Microwave Electronics Engineering & Research (SAMEER), Kolkata Centre <i>(R & D Laboratory of Ministry of Electronics & Information Technology, Govt. Of India)</i>	Record Number PUR/03 Issue No./Date: 01 / 01.04.2015 Rev. No./Date: 00/Nil Page 1 of 1
	ENQUIRY	
Enquiry Ref No: SMR(K)/256/12688/Wardrobe/WS/21 Date : 16th Nov, 2021		 Due date : 25th Nov, 2021

Dear Sir,

You are requested to submit your quotation within due date.

Description of components	Qty (Nos)
Supply of wooden wardrobe as per customized drawing as given below : Raw materials to be used as below : Wooden ply board : make - Century/ Green ply Lamination sheet (sunmica) : Century / Green ply (Sunmica should be fixed as per drawing) Other accessories : ISO Brand	01 Nos
Inspection will be done before fixing of Sunmica.	

Terms and Conditions:

- 1. Payment :100%** On delivery and production of Bill through bank transfer.
- 2. Price :** should be quoted including material, labour and freight.

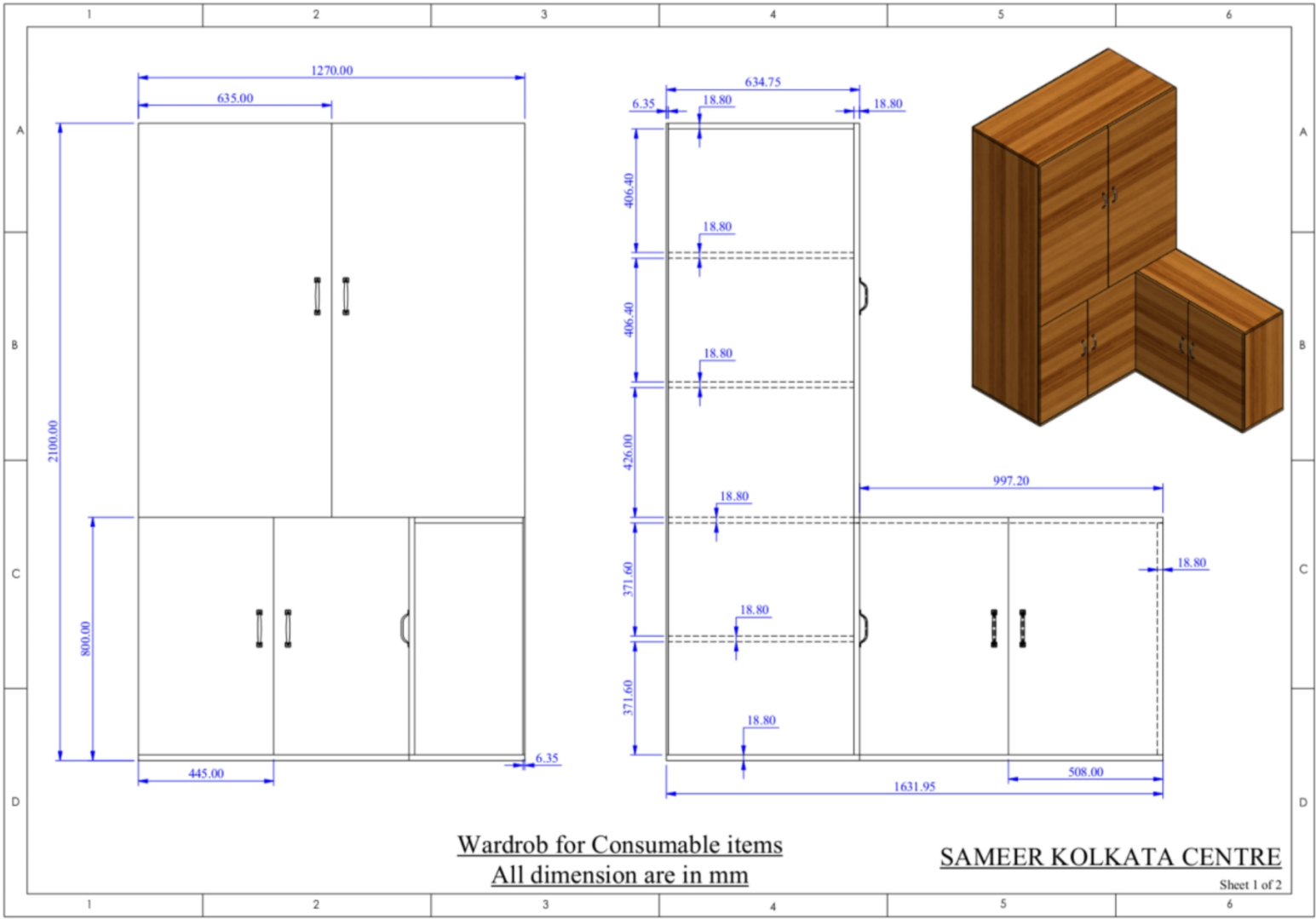
For any technical clarification please contact our concerned scientist Shri S.Mondal, Sc.-C (email: workshop@mmw.sameer.gov.in) / Ph : 033-2335-6219)

Please mention Enquiry Ref No. in all future correspondence.


Vivek Kumar Singh
Head, A & AO
email : purchase@mmw.sameer.gov.in

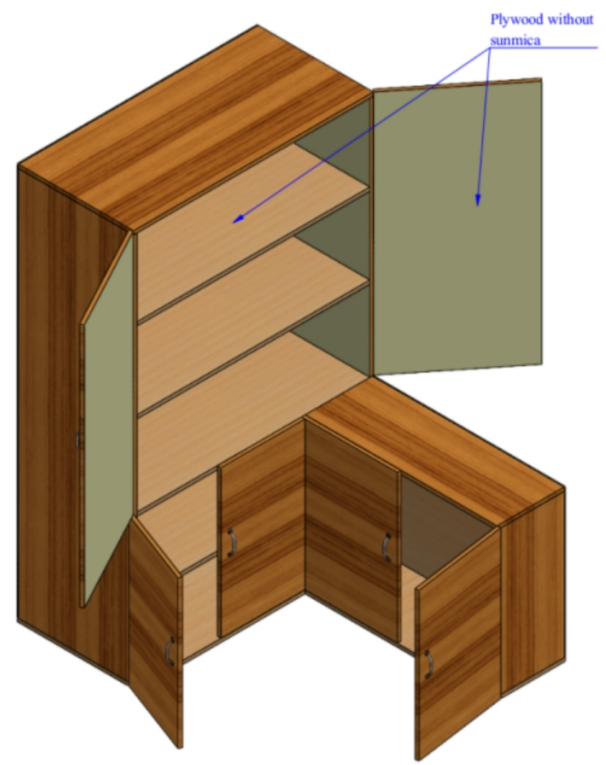
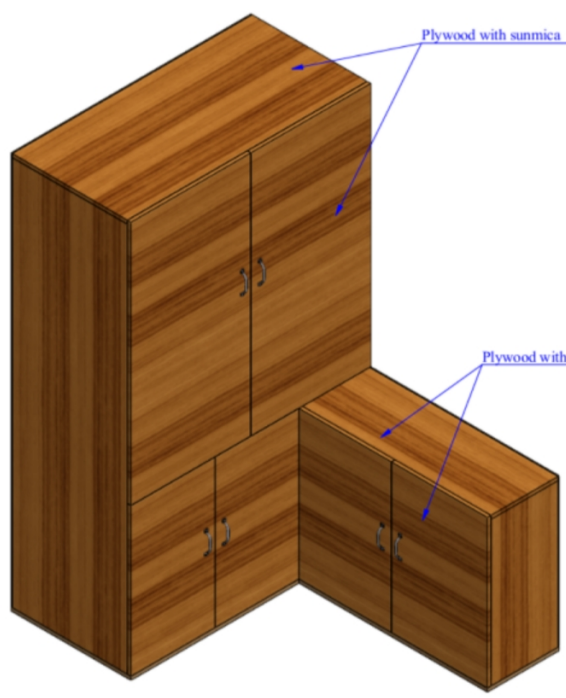
-----X-----

Plot-L2, Block-GP, Sec-V, Salt Lake Electronics Complex, Kolkata- 700091, INDIA
Ph : 091-33-2357-4875 / 2357-4894 Fax : 091-33-2357-4950, E-mail : purchase@mmw.sameer.gov.in



Wardrob for Consumable items
All dimension are in mm

SAMEER KOLKATA CENTRE



Wardrob for Consumable items
All dimension are in mm

SAMEER KOLKATA CENTRE